

A TRANSCODER

JP2001-503225A

Publication number: WO9819460

Publication date: 1998-05-07

Inventor: CHRISTOPOULOS CHARILAOS (SE); BJOERK NIKLAS (SE)

Applicant: ERICSSON TELEFON AB L M (SE); CHRISTOPOULOS CHARILAOS (SE); BJOERK NIKLAS (SE)

Classification:

- international: **H04N7/32; H04N7/26; H04N7/32; H04N7/26;** (IPC1-7): H04N7/26

- European: H04N7/26T; H04N7/26Z4

Application number: WO1997SE01766 19971022

Priority number(s): SE19960003909 19961025

Also published as:

EP0934661 (A1)
 US6526099 (B1)
 EP0934661 (A0)
 SE9603909 (L)
 SE515535 (C2)

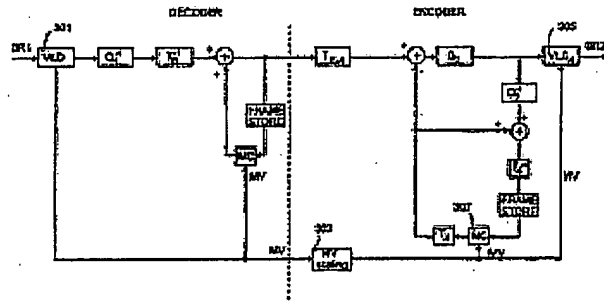
Cited documents:

EP0687112
 WO9529561
 EP0712251
 US5477397
 EP0711079

Report a data error here

Abstract of WO9819460

In a transcoder means are provided for implementing a simultaneous change in rate and in resolution. In a preferred embodiment means are also provided for transferring incoming motion vectors or the like directly to the output encoder. The transcoder architecture is both suited for implementation in the spatial as well as in the frequency domain.



Data supplied from the *esp@cenet* database - Worldwide